

# GASPARDO



**VEGETABLE  
PLANTER RANGE**

# PRECISION VEGETABLE AIR PLANTERS

## ***Precision and experience***

The precision vegetable air planters are the product of experience gained by GASPARDO over the years in precision planting. Design rationality and component modularity make these machines highly flexible for use in the specialist vegetable sector.

The new range of ORIETTA and OLIMPIA vegetable planters has had its planting unit overhauled for improved performance. The upgrade has perfected the meter body, which houses a 22cm-diameter seed disc offering impressive accuracy and even seed distribution.

The new ORIETTA and OLIMPIA planters can handle different planting depths amazingly simply and flexibly with the aid of reversible shoe openers, allowing you to choose the configuration that best suits your specific individual requirements.



## **AGRONOMIC ADVANTAGES**

- *Planting accuracy*
- *Even depth and adaptability to any ground*
- *Reduced seed damage*



## **FINANCIAL/ENVIRONMENTAL ADVANTAGES**

- *Less seed and fertilizer wastage*
- *Less fuel use*
- *Works effortlessly even with ridges*



# CONTENTS

Everything you need	4
Built to your requirements	6
A shoe to meet every need	8
Two options, for the right row spacing	10
A single unit for multiple uses	12
Drive	14
Details that make the difference	16
Just one seed at a time	18
Fertilization	20
Accessories	22



**ORIETTA 8R**



**OLIMPIA 5R**



# Everything you need for an accurate job

## Always up to the task

The ORIETTA and OLIMPIA units have wheels on both the front and rear, so as to follow every contour of the ground and ensure constant planting depth in any working conditions. In addition, each unit is independent from the others and, with the down-pressure spring and depth adjustments, you can always get the setup best suited to your specific needs.

## ORIETTA

Planter down-pressure spring

Self-lubricating sintered bushes

Front wheel

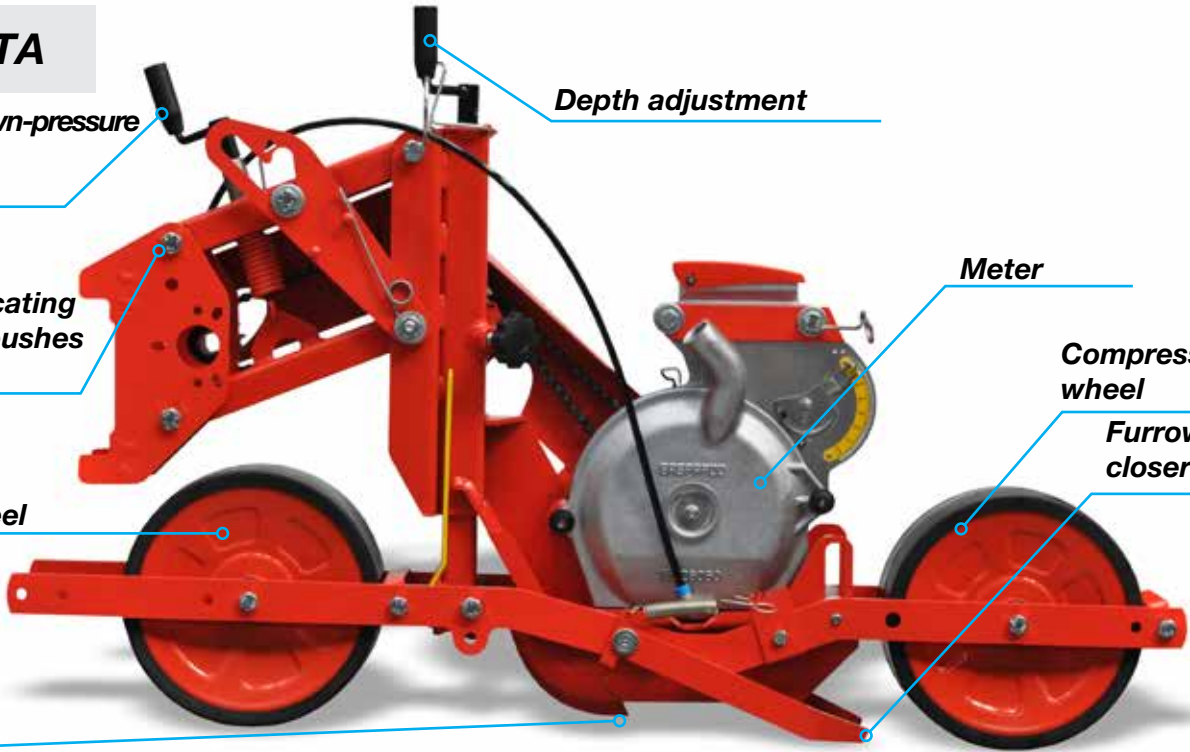
Shoe

Depth adjustment

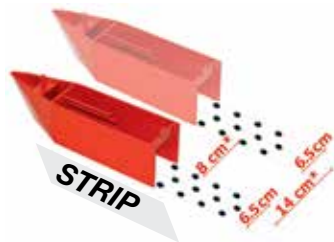
Meter

Compression wheel

Furrow closer



## ORIETTA - **NARROW** Planter



## ORIETTA - **WIDE** Planter



Watchword:  
modularity

Parallelogram frame

Depth adjustment

Planter down-  
pressure spring

**OLIMPIA**

Self-lubricating  
sintered bushes

Compression  
wheel

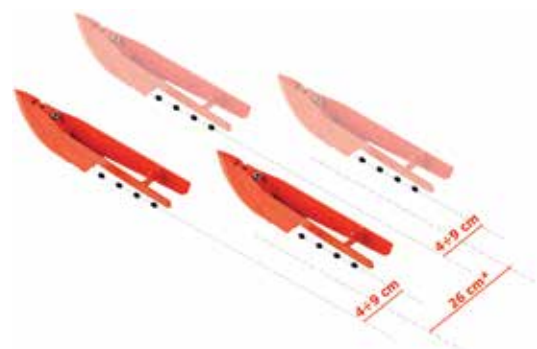
Front wheel

Shoe

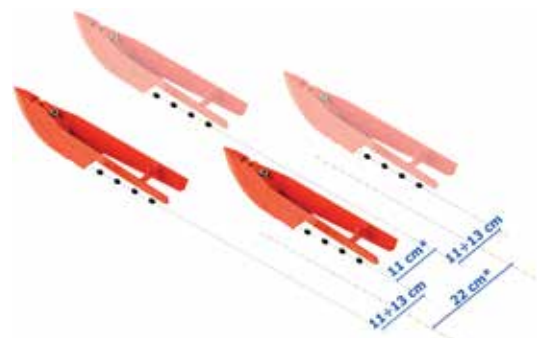
Meter

Furrow  
closer

**OLIMPIA - NARROW Planter**



**OLIMPIA - WIDE Planter**



\*NARROW and WIDE minimum distances respectively



# Built to your requirements

## ***Shaped by time***

The GASPARDO vegetable air planters are the epitome of planting accuracy. These machines are the result of more than 40 years of research and development working closely with farmers from all over the world. Consequently, ORIETTA and OLIMPIA lend themselves effortlessly to any kind of seed and ground, consistently offering great reliability, even when clodding and moisture conditions are not ideal.



## ***TRANSPORT position***

When travelling on roads, the Orietta and Olimpia planters fold up to comply with the maximum widths allowed by the rules of the road.



## ***INTERMEDIATE position***

Where needed, the planter's wings can lift up independently from each other, allowing you to plant right up to the edge of the field or in areas narrower than the working width.



## ***WORKING position***

When open, the planter allows you to work along its full width and optimize the number of in-field passes, at the same time keeping compaction to a minimum.

# Solid, long-lasting frames

## 2 frame configurations

You can choose from between 2 and 27 rows combined with the 2 frame types: fixed (from 1.9 to 6 m) and folding (from 3 to 9.3 m) as needs dictate. The options are the same for ORIETTA and OLIMPIA, though the former can be chosen in a single-, double-, triple-row or strip configuration, while the latter comes in a twin-row version only.



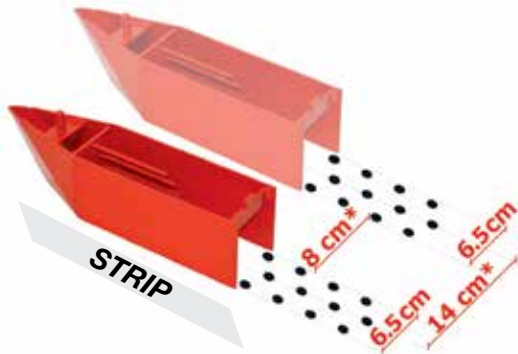
**ORIETTA 14R**





# A shoe to meet every need

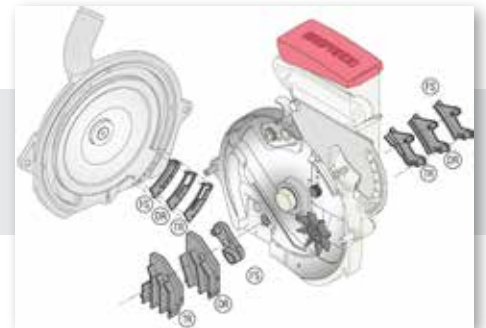
ORIENTTA



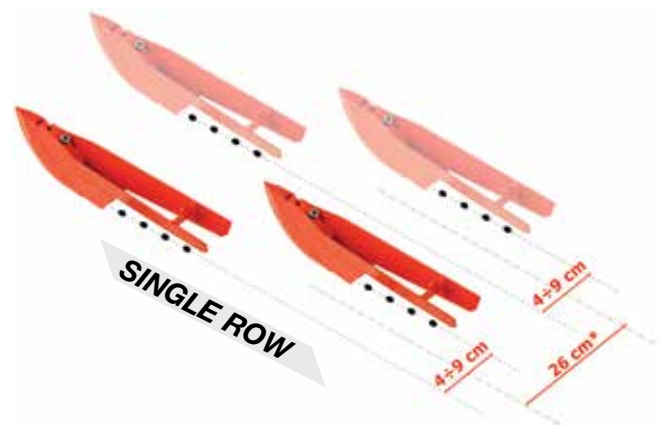
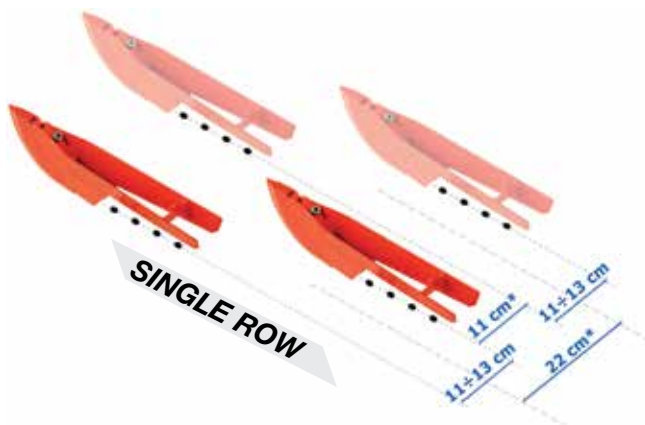
\*NARROW and WIDE minimum distances respectively

## Convertible in a matter of minutes to suit the seed

Just a few easy steps and you can change the unit's configuration, going from single row to double row or strip on the narrow version, or even triple row on the wide version.



OLIMPIA

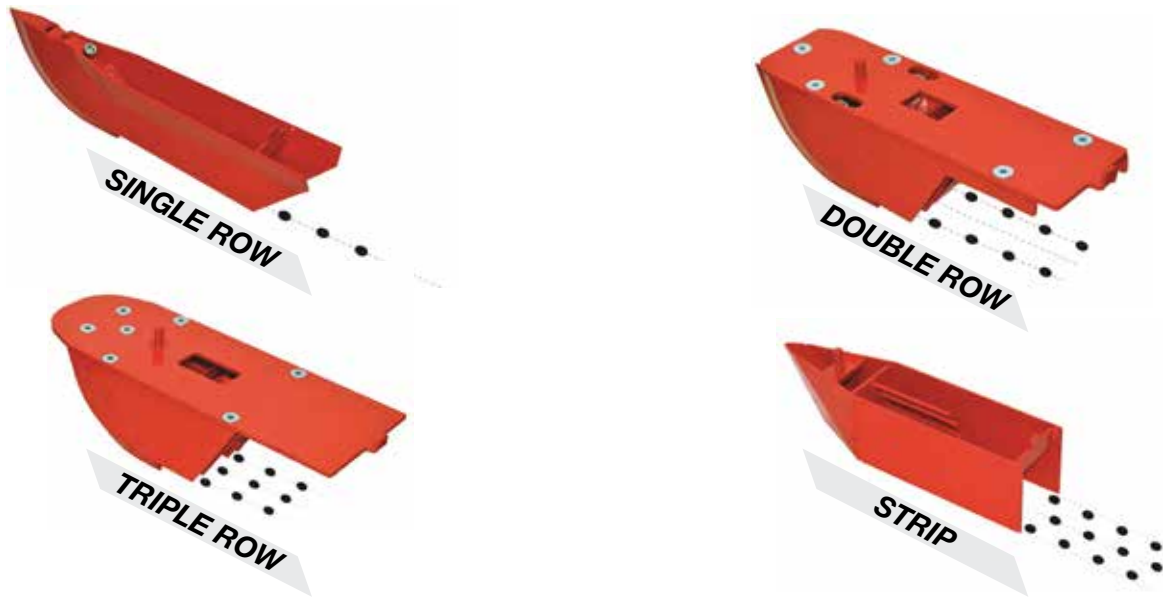


## Interference is a thing of the past

OLIMPIA's new shoes have been specially designed to reduce the wave effect that is created given the units' proximity and their offset position. With this new design, you will no longer have any issue with interference between the two rows, resulting in improved seed emergence.

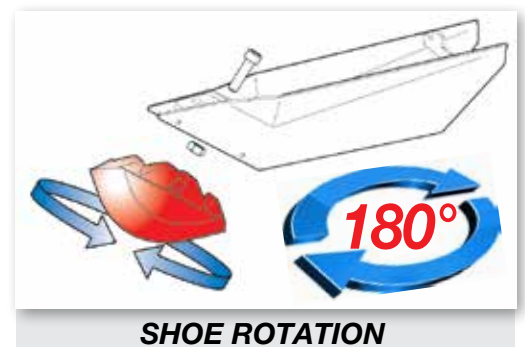
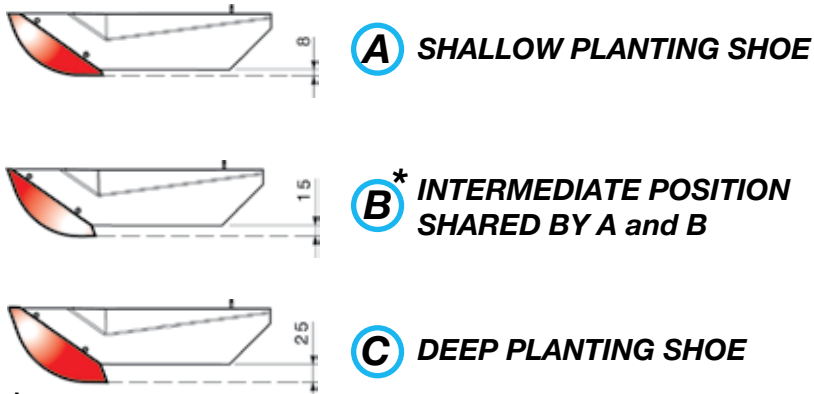


# Different depths



## Different tips for both

There are two tips available that change the planting depth from 8 to 15 mm or from 15 to 25 mm (specify this characteristic when ordering).



\* All shoes are reversible and have a common position allowing planting at a depth of 15 mm

## Adjustable furrow closer

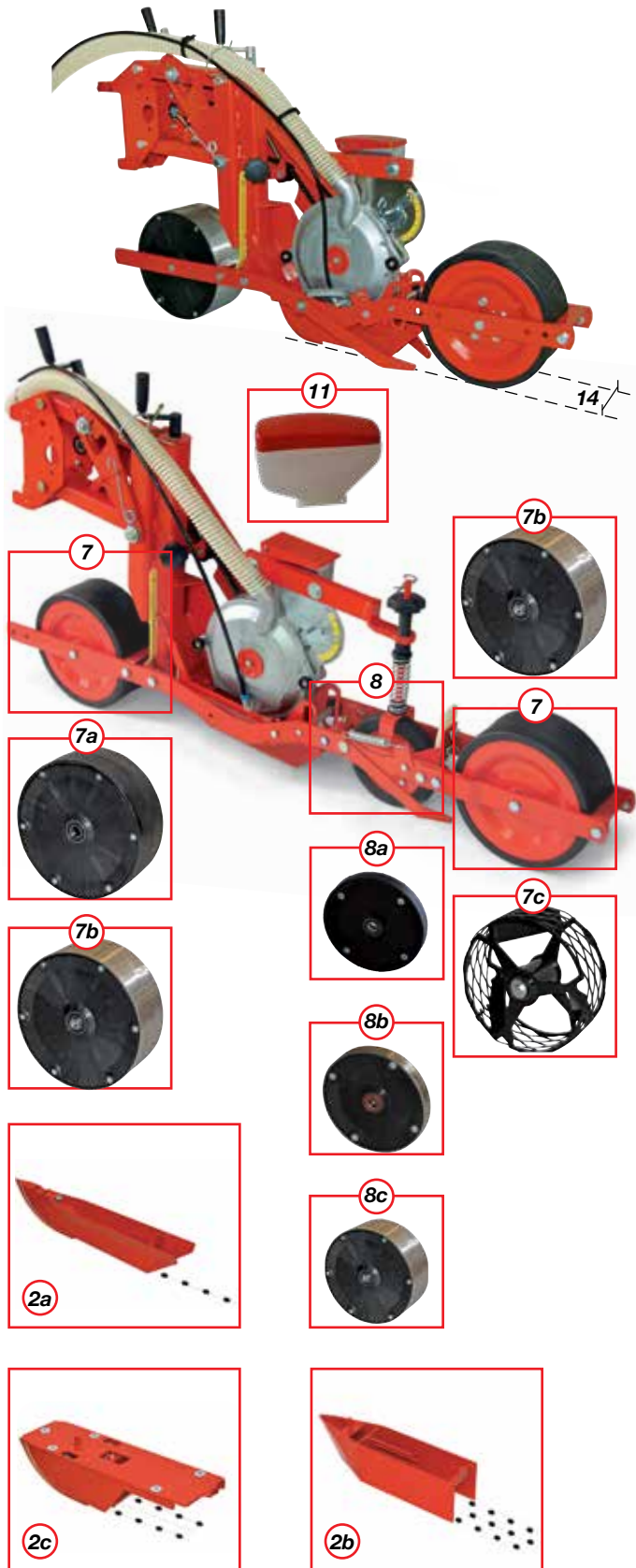
It is very quick and easy to rotate the furrow closer, adjusting it to suit the ground and the depth you want to work at. Closing the seed furrow is important as it allows you to maintain the right environmental conditions and thus ensure the germination rate stays high.

In addition, this adjustment allows you to adapt ORIETTA and OLIMPIA to any vegetable type, whether on a field scale or in a controlled environment, such as carrots, onions, lettuce, spinach, parsley, etc.

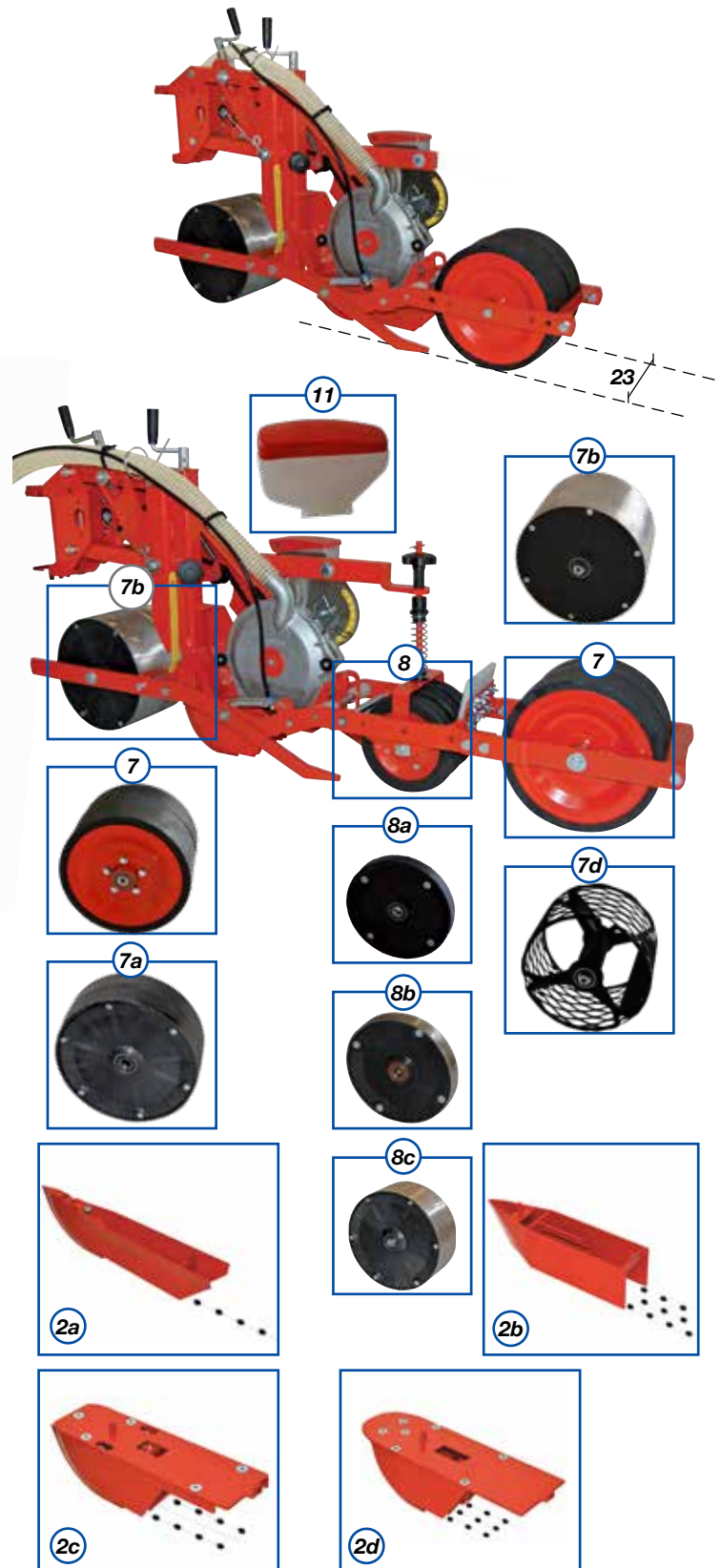


# Two options for the right row spacing

## ORietta NARROW



## ORietta WIDE



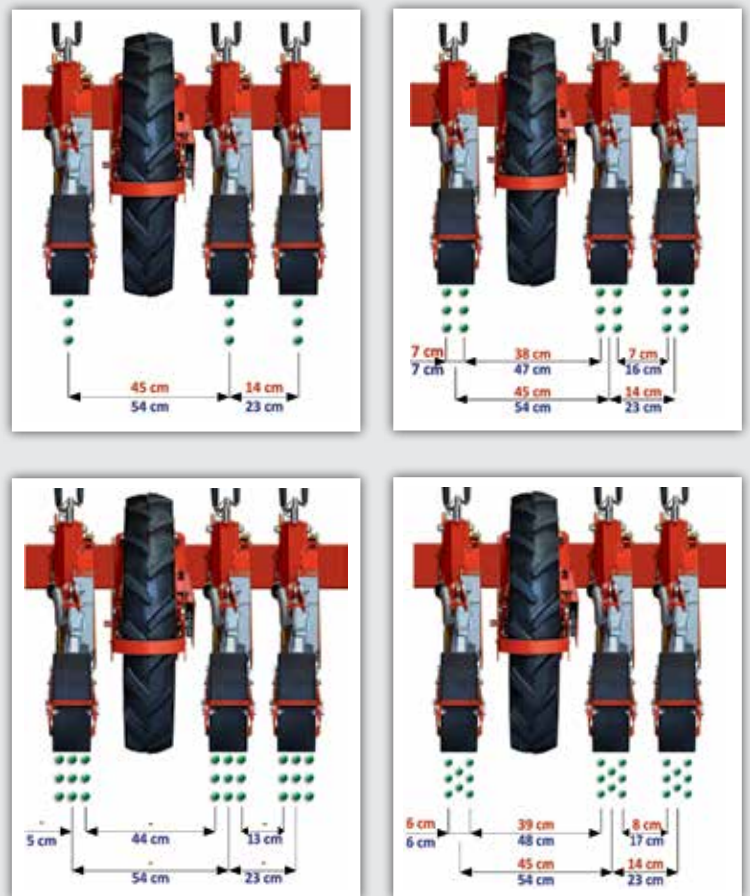




## ORIETTA 16R

UNIT VERSIONS	
2a	Single-row SR shoe
2b	Strip (6 cm) planting ST shoe
2c	Double-row (7 cm) DR shoe
2d	Triple-row (5 cm) TR shoe for ORIETTA WIDE only
7	Soft rubber compression wheel
7a	Hard rubber compression wheel
7b	Stainless steel compression wheel
7c	Mesh compression wheel
8	Soft rubber seed press wheel
8a	Hard rubber seed press wheel
8b	Stainless steel seed press wheel
8c	Stainless steel seed press wheel for strip
11	Plastic hopper extension (seed capacity 3.5 l)

## SEED SPACING



When the 6.50" (optional) drive wheel is fitted, it moves the 2 outer units out by 5 cm, thus increasing the space between the rows.



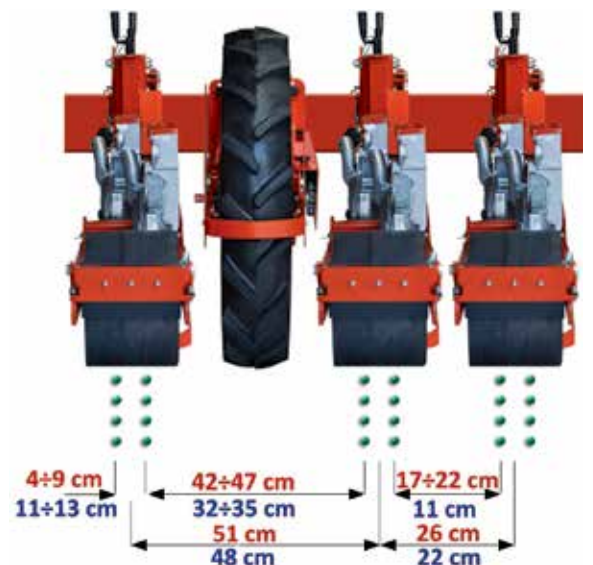
# A single unit for multiple uses

## OLIMPIA, excellent for double row planting

The double meter version, called OLIMPIA, has been designed to offer the utmost accuracy for double row planting. The various accessories can be used to adapt the machine to suit the type of ground and crop. Of particular interest are the stainless steel or rubber seed press wheels, which ensure perfect seed to soil contact, thus optimizing germination of all seeds. The distance between the two metering units can be adjusted in the 4 to 9 cm range (for planters with narrow unit) and 11 to 13 cm range (for planters with wide unit). The two versions are not convertible.



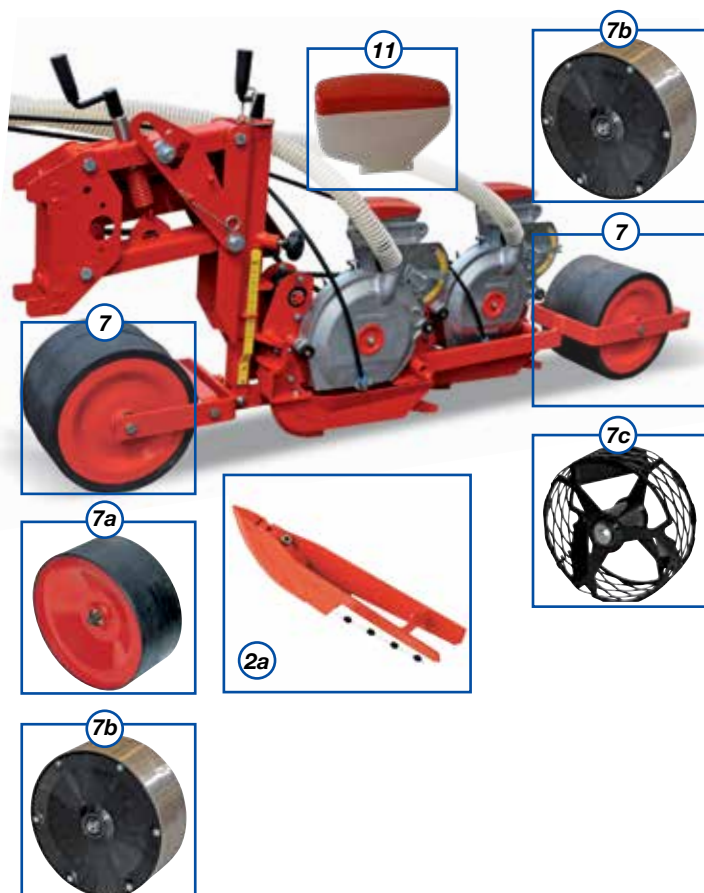
## OLIMPIA NARROW





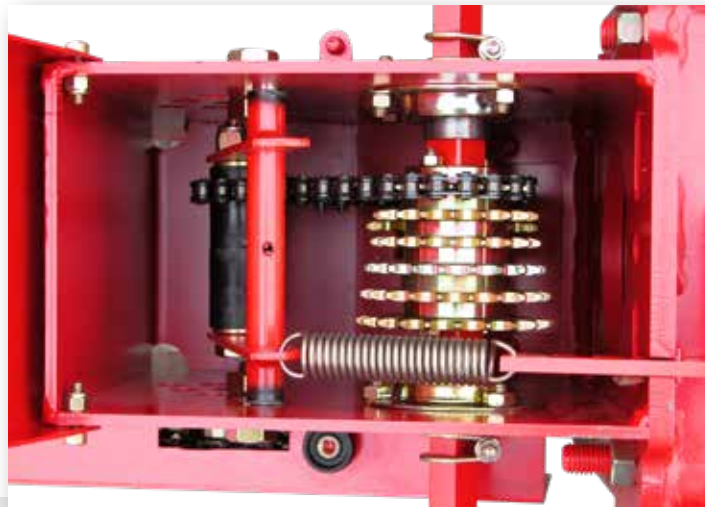


**OLIMPIA WIDE**



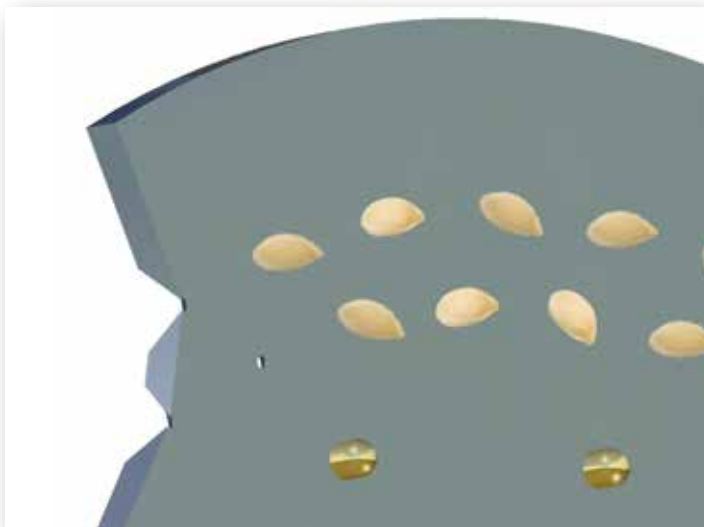
UNIT VERSIONS	
<b>2a</b>	Single-row SR shoe
<b>7</b>	Soft rubber compression wheel
<b>7a</b>	Hard rubber compression wheel
<b>7b</b>	Stainless steel compression wheel
<b>7c</b>	Mesh compression wheel
<b>8</b>	Soft rubber seed press wheel
<b>8a</b>	Hard rubber seed press wheel
<b>8b</b>	Stainless steel seed press wheel
<b>11</b>	Plastic hopper extension (seed capacity 3.5 l)

# Drive, forever stepping it up a gear



## **A ratio for every seed**

The chain drive system offers 36 gear ratios and is easy to access and simple to set up. The different configurations allow you to place seeds with a spacing that can be varied from 0.63 to 23.1 cm based on the extensive range of discs. This feature means any kind of vegetable crop can be planted with the desired spacing, extremely accurately and with success guaranteed every time.



## **Discs with tapered holes**

Tapering, found on discs featuring holes with a 2.5mm diameter, allows for optimal seed adhesion and means the hole is cleaned perfectly.

Discs are available with single-, double- or triple-row holes and can be changed based on the number of rows due to be planted.

Whenever the number of rows changes, the shoe and the configuration inside the meter also need to be adjusted, at the same time as the discs, so that the singulators can be changed accordingly.

## **Pins vs no pins**

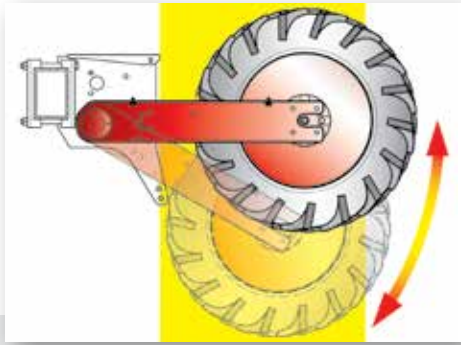
The seed discs feature brass pins used to transmit power to the seed agitator. This part is made from hard-wearing plastic and serves to "stir" the seeds, stopping them from becoming compacted inside the meter but without damaging them.

Discs without pins are a different matter: they are recommended when using coated and hence more fragile seeds. The absence of pins avoids breaking the seeds' coating.

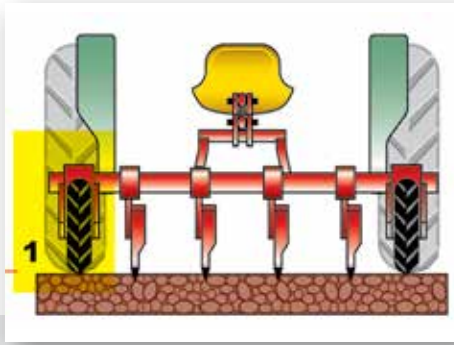




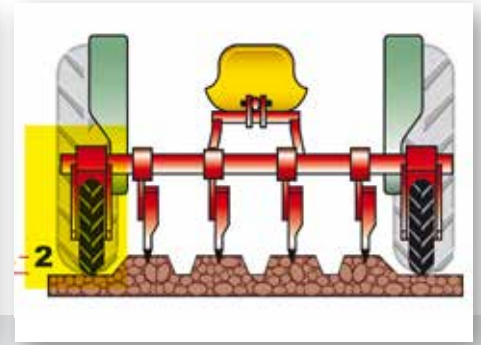
# Ready for anything



The drive wheels have a wide adjustment range and offer excellent planting accuracy, even at higher speeds.



When working on flat surfaces, they are adjusted to the same level as the planting units **(1)**.



When dealing with ridges, they are made to run on a lower level, ensuring the meters **(2)** are driven.

## ***Different options for height correction***

The following are optional extras: the spring kit to allow the drive wheel to float so as to better follow the contours of the ground (this kit is recommended on fixed-frame machines with 4 or more drive wheels or on machines with a front roller); manual adjustment of the drive wheels, meaning the planter's height can be changed quickly and adapted to suit different types of ground (open ground or ridges).



**OLIMPIA 5R**



# Details that make the difference



**ORIETTA 12R**

## **A setting for every plant**

Every seed has different requirements and, with the multiple adjustment options offered by ORIETTA and OLIMPIA, the planter can be set up to handle them in the best way possible.

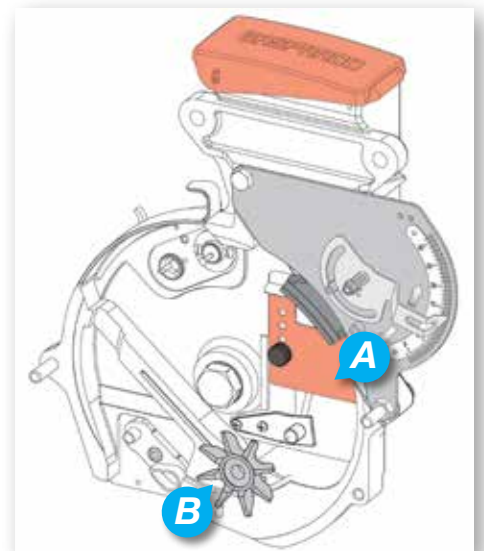


## **Seed meter**

The meter, featuring a cast aluminium construction and hard-wearing plastic parts, delivers a high level of planting accuracy due to the components' specific conformation. Ergonomically designed knobs for opening the meter make cleaning and servicing easy, without the need for tools or special keys.

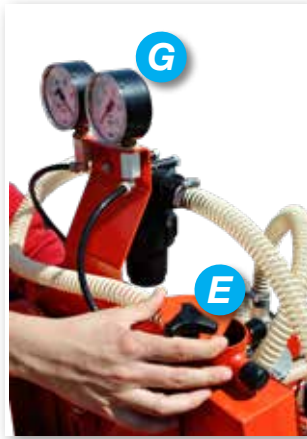
## **Seed control**

The anti-overfill plate **(A)** is designed to control the flow of seeds (small or coarse) dropping from the hopper. These seeds are then mixed by the special removable rotary agitator **(B)**, driven by the disc's pins, ensuring constant seed drop. The agitator is only used with raw seeds, which are less prone to breakage as a result of mechanical stress.

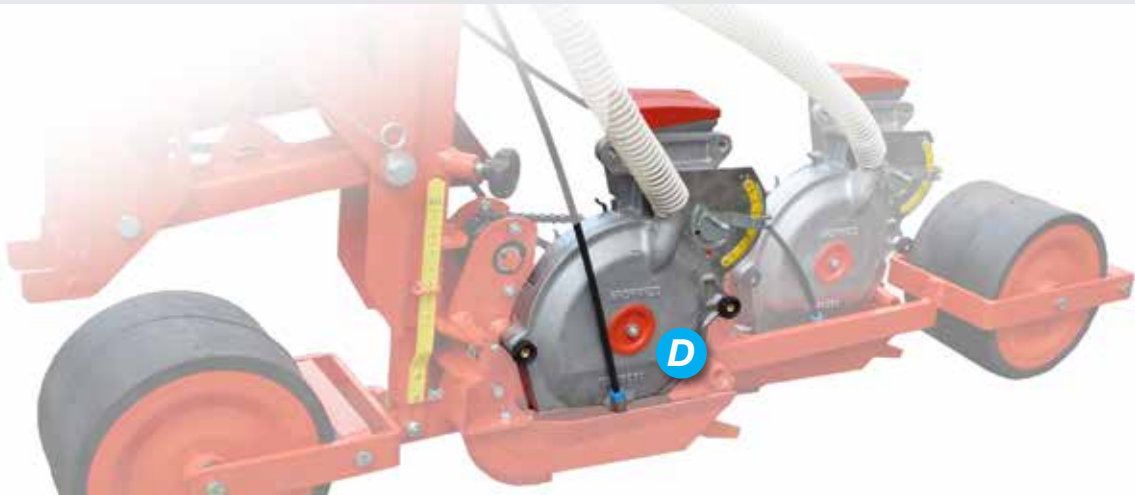




# No wastage, maximum yield



The negative pressure created by the vacuum system can be adjusted with the aid of an adjustment sight glass (C). All seeds are distributed in the furrow one by one with the utmost accuracy, all of which is achieved by means of the mechanical seed ejection system. An additional air injector (D), which is also adjustable (E), rids the holes in the disc of any impurities. The filter provided (F) purges this stream of air of any foreign material. Two pressure gauges (G) make it easy to monitor the two pressures, suction and blowing.



## Seed recovery stages

This system eliminates wastage by recovering unused seed via the planter's built-in vacuum system (H). It allows the hoppers to be emptied completely, avoiding seeds being dropped onto the ground and lost.

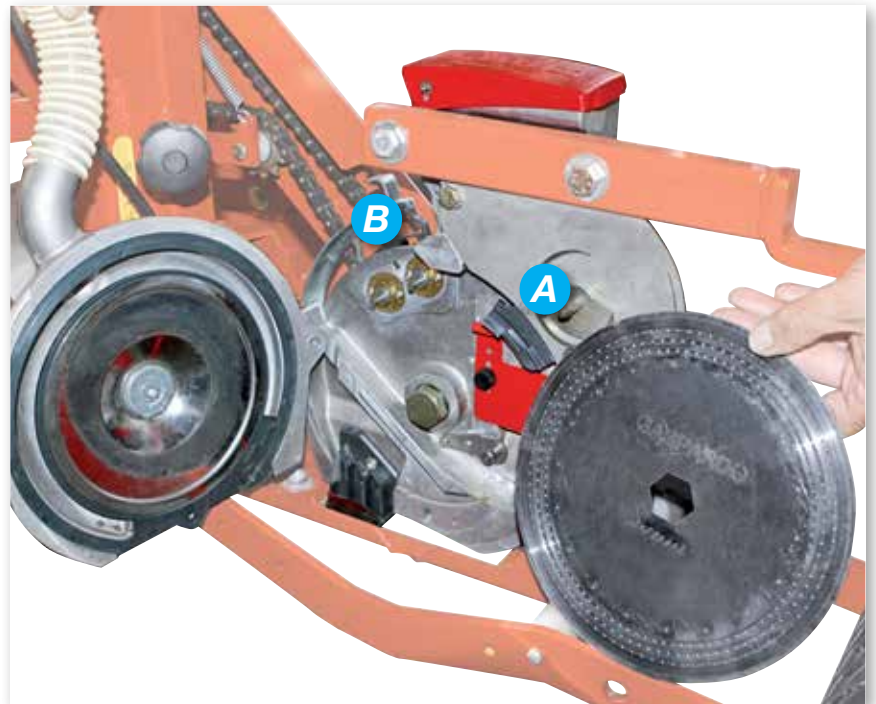




# Just one seed at a time

## One seed per hole

A double micrometric adjustment system, both external **(A)** and internal **(B)**, ensures there is just one seed per hole, resulting in uniform distribution. They work by using a pin. The singulation system **(A)** controls a slider that brushes against the disc by the holes, causing excess seeds to fall away. The selector needs to be adjusted every time the seed and disc are changed: down for small seeds or up for large seeds.



## Seed hopper



## V 1200 monitor

Comes as standard, partial and total hectare counter, and planting per row monitoring alarm.



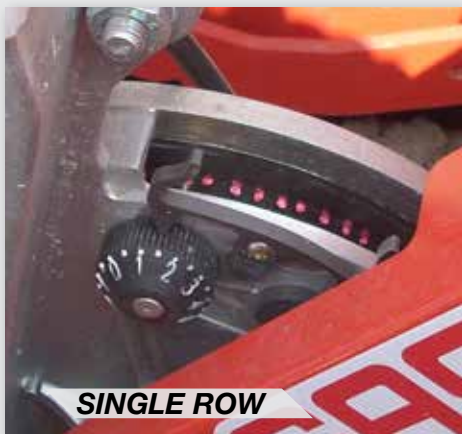
# Micro-adjustments



**ORietta 5R**

## ***For an accurate job***

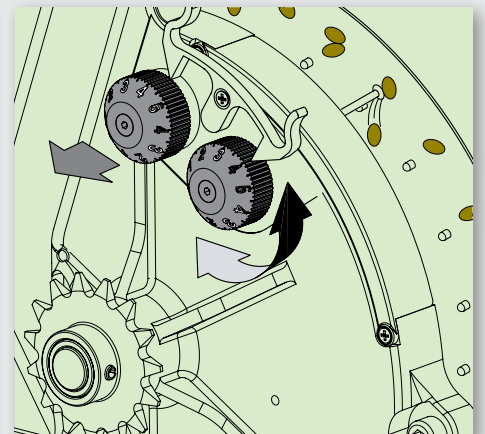
The micro-selector (**B**) allows you to adopt an additional, more accurate seed singulation setting on the disc. When planting with the DR (double row) shoe, two micro-selectors will be used.



**SINGLE ROW**

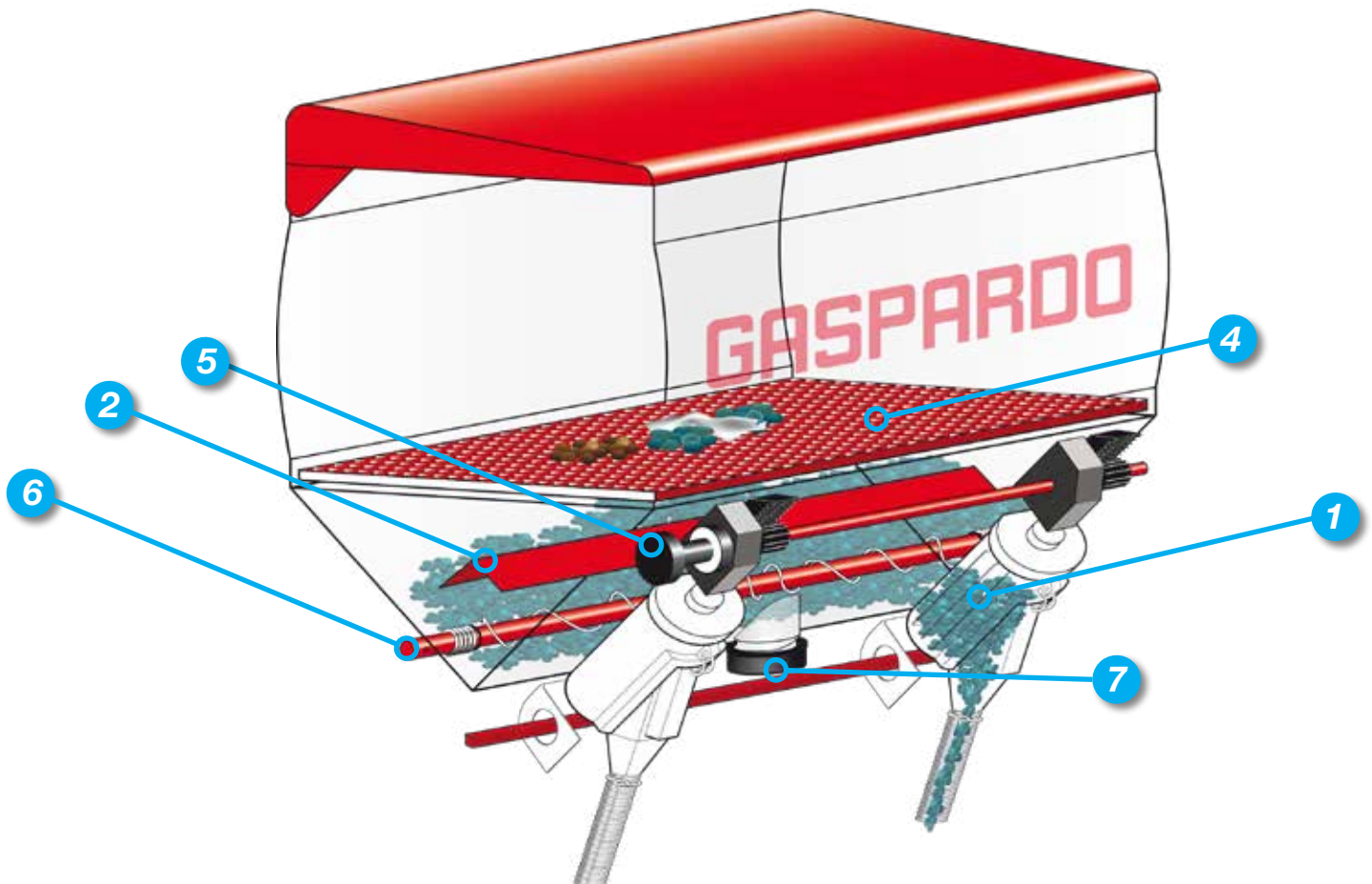


**DOUBLE ROW**



# Fertilization and special applications

## MINIMAX METERING UNIT



- 1 The MINIMAX volumetric metering unit is easy to adjust and allows you to distribute fertilizer at different rates, maintaining a high level of distribution accuracy: 50-700 kg/ha.
- 2 SPEEDY SET is the central adjustment system for the meters: quick, accurate and effortless.
- 3 The volumetric metering units dispense fertilizer accurately by means of the SOFT FEEDER silicone rubber roller, without damaging the granulate. The materials chosen ensure resistance to wear and corrosion.
- 4 The removable mesh screen filters out any foreign material that might damage the meters.
- 5 The baffle stops the fertilizer becoming compacted and ensures even flow.
- 6 The agitator is designed to ensure constant distribution and conveys the product towards the relevant outlets.
- 7 The hopper is easy to empty for cleaning by means of the relevant outlets.



# Meticulous care



## ***Micro-metering unit***

fitted on request, supplementary hoppers for the distribution of fertilizers or microgranular soil-applied insecticides.



# Accessories

## **Everyone has their own requirements**

The ORIETTA and OLIMPIA planters qualify as "tailor made" machines given their extensive range of custom options, as well as the various versions that can be created by combining different frames, units, press wheels, etc.

## **Seed press wheels**

In horticulture, seed press wheels play an essential role in compacting the ground after placement, and maintaining the right temperature and moisture conditions required to allow the seeds to germinate uniformly. They are made from various different materials (soft rubber, hard rubber and stainless steel) and come in different widths, depending on the shoe fitted and hence the number of rows.



Stainless steel, single row. ORIETTA N and W, OLIMPIA.



Soft rubber, single row. ORIETTA N and W, OLIMPIA.



Hard rubber, single row. ORIETTA N and W, OLIMPIA.



Stainless steel, double row. ORIETTA N and W.



Hard rubber, double row. ORIETTA N and W.



Stainless steel, triple row. ORIETTA W.



Soft rubber, triple row ORIETTA W.



Stainless steel, strip. ORIETTA N and W.

## **The right wheel for each ground type**

Results in more uniform contact for the unit and improves finishing on the ground. With the extensive range of wheel options to choose from, the unit can be adapted to match the ground type, thus also improving seed covering. They come in different widths, depending on the number of rows you plan on planting.





# Unique, like your job



Clod clearer



6.50" extra-large wheel



Rubber soil scraper



ORIETTA adjustable furrow closer



Irrigation hose laying kit



Seat with platform



Stainless steel front roller



Plastic hopper extension



Continuous depth wheel adjustment



Single-acting hydraulic row marker



Hydraulic row marker inside overall working width, track in centre (for folding frames only)



Hydraulic row marker up to 6 m

These accessories are very important for tailoring the planter to suit your needs and the type of ground and crop.



**ORIETTA 16R**

# GASPARDO

**MASCHIO GASPARDO S.p.A.**

Headquarters and production plant  
Via Marcello, 73  
I-35011 Campodarsego (PADOVA) - Italy  
Tel. +39 049 9289810 - Fax +39 049 9289900  
info@maschio.com - www.maschio.com

**Production plant**

Via Mussons, 7  
I-33075 Morsano al Tagliamento (PN) - Italy  
Tel. +39 0434 695410 - Fax +39 0434 695425