

GASPARDO



CHRONO 500

More than 15 km/h with **ISOTRONIC** technology

MULTI-PURPOSE AND COMPACT

CHRONO 500, novelty by MASCHIO GASPARDO, enriches the range of high-speed precision planters combining the high versatility of CHRONO element with the compactness of a foldable mounted frame with floating wings.

Developed to work at 15 km/h and above, it grants the best planting accuracy in every condition, both on tilled and no-tilled soils.

Available with fix or transformable inter-row frame, the size on road is 3 metres for all configurations: 508 with 8 elements and row spacing 70 or 75 cm and 512 with 12 elements and row spacing 45 or 50 cm.



CHRONO 500



FRAME WITH FOLDING WINGS

The mounted frame with folding wings and vertical closure houses 8 or 12 planting elements keeping a transport width of only 3 m.



ISOTRONIC TRANSMISSION

ISOTRONIC transmission, standard on all CHRONO planting units, uses the ISOBUS communication protocol and GENIUS MASTER interface. It is possible to benefit from all the Precision Farming functions for planting, fertilization and microgranular products distribution.



FERTILIZER DISTRIBUTION

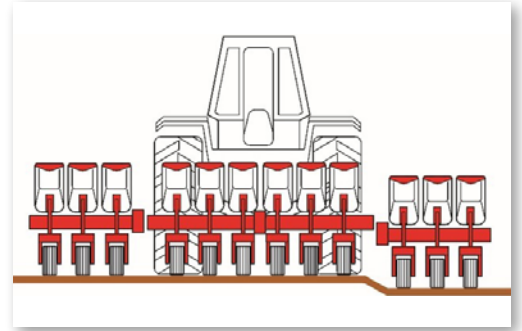
CHRONO 500 allows the distribution of fertilizer thanks to the coupling with the front hopper PA1. Placement takes place by means of a special coupler that uses the proven AIR SPRING system.



Technical innovation

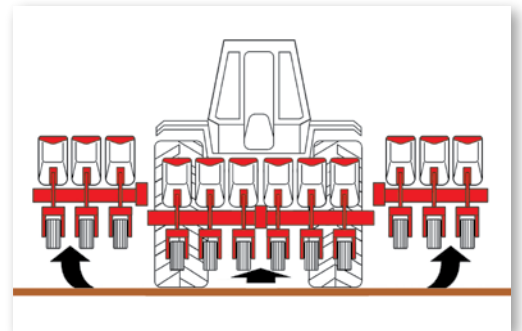
CONTROL OF FRAME POSITION

The electro-hydraulic movement system of the frame maintains a constant distance of side wings from the ground, in this way guaranteeing a uniform pressure on the planting units also in case of uneven soils.



WINGS UP

The system automatically raises the side wings from the central frame during manoeuvres. In this way, greater manoeuvrability is achieved even in the presence of obstacles.



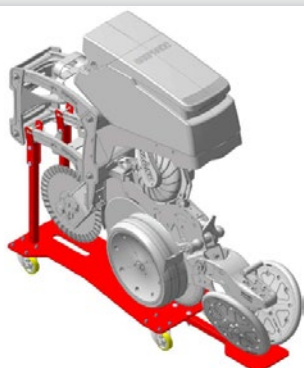
AIR SPRING

The planting element CHRONO uses a robust double parallelogram connection system with AIR SPRING. It is possible to adjust the pressure of the element to the ground directly from tractor cab up to a maximum of 300 kg.

Great configurability

FRAME VERSIONS

CHRONO 500 frame is available in two versions: fix or convertible into 8 and 12 row configurations. The frame transformation allows to modify the number of rows and to adjust the inter-row distance in less than 2 hour.



Practical trolley to disassemble the planting element



AGRICOLTURA 4.0

The software ISOBUS «GENIUS MASTER» of CHRONO 500 allows data reception and sending during working phases. Traceability of data responds to the most modern requirements of sustainable agriculture.



Equipment always under control!

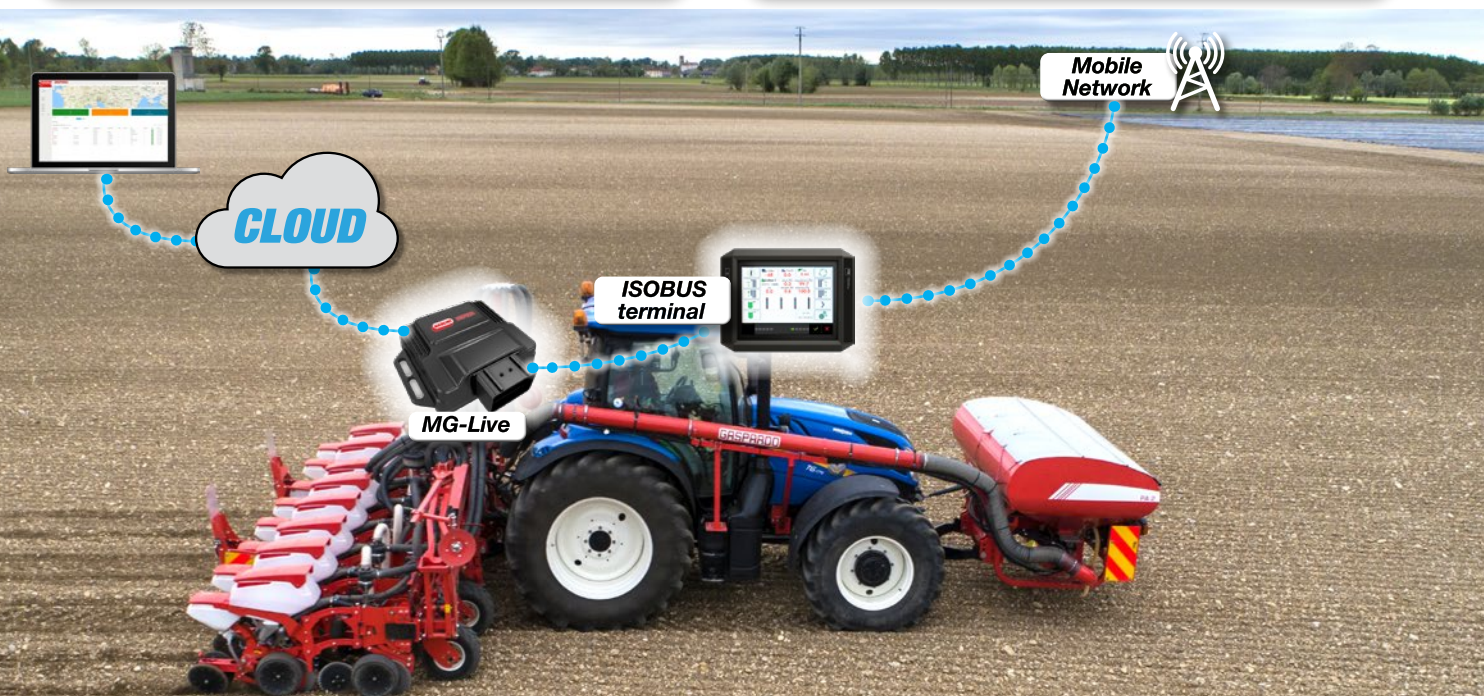
With MG-Live it is possible to access own equipment at any time through the web to check both geolocation and work data in real time.



Remote Service

MASCHIO GASPARDO service

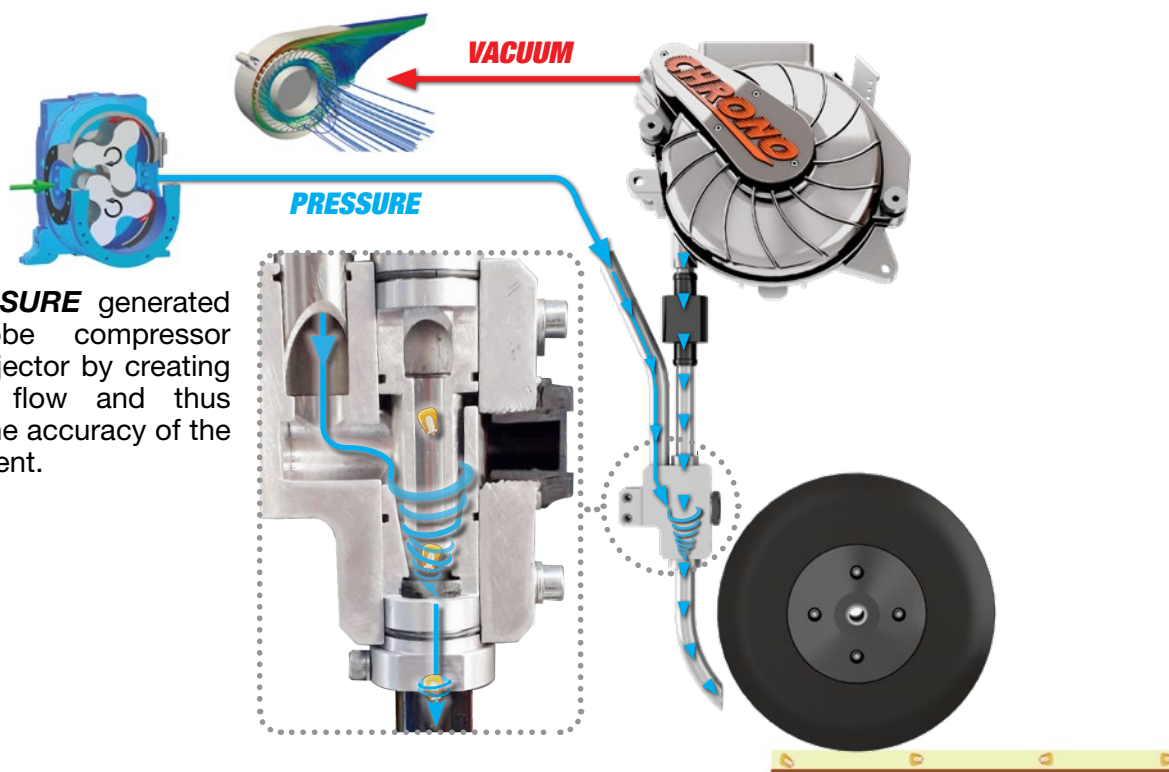
The GENIUS MASTER system of the equipment receives updates directly from MASCHIO GASPARDO technical assistance service.



GASPARDO

2 INDEPENDENT SYSTEMS:

- The distributor's **VACUUM** is created by the fan. It suctions and maintains the seed in each hole of the seeding plate, which allows for maximum precision when choosing one seed at a time.



- The **PRESSURE** generated by the lobe compressor boosts the ejector by creating a constant flow and thus normalises the accuracy of the seed placement.

CHRONO 500	ROWS	INTER-ROW *	WEIGHT **	FRAME CONFIGURATION	TRANSPORT WIDTH
	n.	cm	kg		cm
508 70	8	70	2.950	fix	300
508 75	8	75	2.950	fix	300
512 45	8	45	3.450	fix	300
512 50	8	50	3.450	fix	300
508/12 70-45	8-12	70-45	3.350 - 3.850	convertible	300
508/12 75-45	8-12	75-45	3.350 - 3.850	convertible	300
508/12 70-50	8-12	70-50	3.350 - 3.850	convertible	300
508/12 75-50	8-12	75-50	3.350 - 3.850	convertible	300

* Transformable equipment cannot be set with different inter-row spaces than those shown.

* Data referred to the basic configuration.

MASCHIO GASPARDO S.p.A.

Headquarters and production plan

Via Marcello, 73

I-35011 Campodarsego (PADOVA) - Italy

Tel. +39 049 9289810 - Fax +39 049 9289900

info@maschio.com - www.maschio.com